



Project _____
 AIA # _____ SIS # _____
 Item # _____ Quantity _____ C.S.I. Section 114000



STAND Mini Rack Oven Stand



STANDARD FEATURES

- + For use with OV310 & OV320 ovens
- + Stainless steel construction
- + 27" height provides optimum working height
- + Holds 12 18" x 16" pans with 3" spacing
- + Heavy duty 4" swivel casters (4 locking)

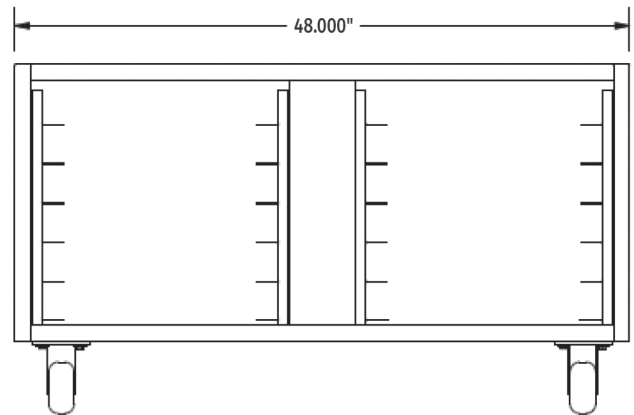
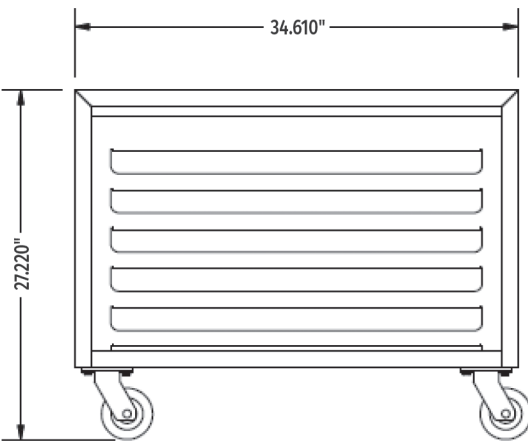
OPTIONS

- LEG-KIT:** Conversion kit replaces casters with stainless steel legs

Weight: 138 lbs.

SPECIFIER STATEMENT

The Mini Rack oven stand base shall be of stainless steel construction, manufactured in the United States by Baxter Mfg. The unit footprint shall be 48"W x 34.61"D x 27.220"H and be able to support an oven with the same width and depth dimensions and up to 785 lbs. The stand shall include 12 pan capacity with capacity with 3" spacing and have an accessory for a leg kit to replace casters.



STAND – MINI RACK OVEN STAND

As continued product improvement is a policy of Baxter, specifications are subject to change without notice.

CAD and/or Revit Files Available

Approved by _____ Date _____ Approved by _____ Date _____